

# PM SMBAS C

# PRISM Tap Range

Prism Small Basin Mixer with Pop-up Waste Chrome



## Specification

|  |                                       |
|--|---------------------------------------|
| <b>Product Type:</b>                       | Bathroom Taps                         |
| <b>Main Construction Material:</b>         | Brass                                 |
| <b>Mount Type:</b>                         | Deck Mounted                          |
| <b>Handle Type:</b>                        | Single Lever Handle                   |
| <b>Connection Inlet:</b>                   | M10 x 400mm Flexible Connection Pipes |
| <b>Connection Outlet:</b>                  | M24 Flow Straightener                 |
| <b>Number of Tap Holes:</b>                | 1                                     |
| <b>Flow Control Valve Type:</b>            | 35mm Single Lever Cartridge           |
| <b>Plumbing System:</b>                    | Suitable for all plumbing systems     |
| <b>Minimum Dynamic Pressure: (Bar)</b>     | 0.2 Bar                               |
| <b>Maximum Dynamic Pressure: (Bar)</b>     | 5.0 Bar                               |
| <b>Maximum Static Pressure: (Bar)</b>      | 10                                    |
| <b>Maximum Hot Water Temperature: (C°)</b> | 65                                    |
| <b>Flow Type:</b>                          | Single Flow                           |
| <b>Isolation Included:</b>                 | No                                    |
| <b>Check Valve Supplied:</b>               | No                                    |

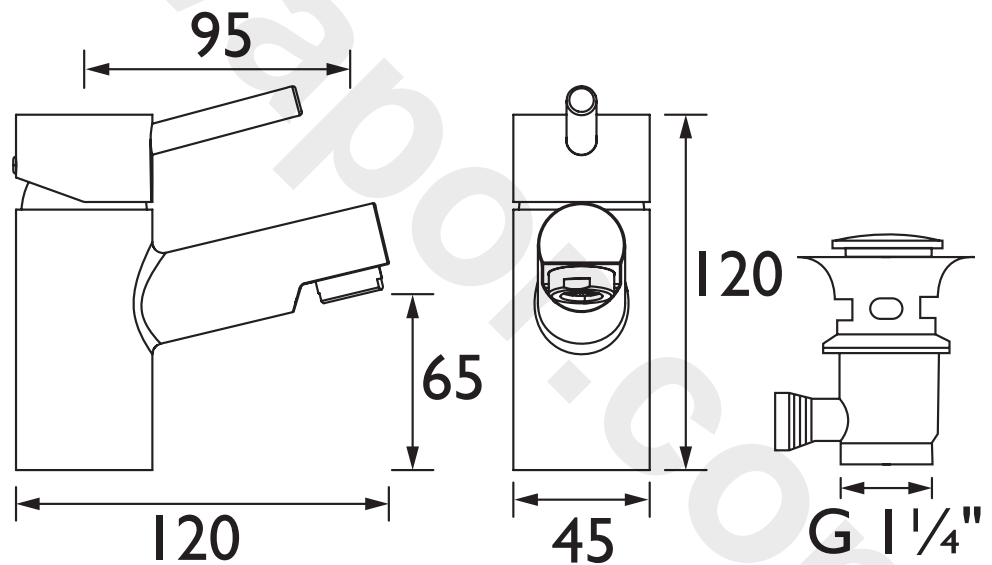
## Features:

- Long life ceramic cartridge for added durability and ease of use
- Metal fixing nut for added durability
- Easy to use lever handle
- Pop-up waste included

## Product Certifications:



## Dimensions (measurements in mm)



For more products, visit our website:  
<http://www.bristan.com>



## Flow Rates (l/min)

| System Pressure (bar) | 0.2 | 0.5  | 1    | 2    | 3    | 5  |
|-----------------------|-----|------|------|------|------|----|
| PM SMBAS C            | 6.2 | 10.9 | 15.7 | 19.6 | 27.6 | 31 |

# TECHNICAL DATA SHEET



# BRISTAN

D9